

## Product Data

Overhead Ionizer

Model : ORITEQ - 204H

Code : 4005 Series



### Features

Auto ion balance, within 0 +/- 5 V

Special Alloy discharge needle, durable and wearable.

Equipment with ionization indicator light and HV abnormally alarm indicator light

Assembly and disassembly of the front louver is easy, cleaning of the electrodes can be performed with ease.

Overhead Air Ionizer for ionization of large area

Special tungsten alloy discharge needle, durable and wearable.

Adjustable blowing angle and air volume.

Outside steel plate is electrostatic painted after double-faced coated with rust resistant zinc

CE standard Approved

### Specification

Power Supply Voltage	100 - 240 , 50 / 60	V AC , Hz
Capacity	48	VA
HV Output	2200	V AC
Safety Balance	Auto 0 + / - 5	V
Air Volume	5.2 - 13	m <sup>3</sup> /min
Ozone Density	< 0.007	Ppm
Allowable Temperature	0 - 40	°C
Allowance Humidity (RH)	25 - 70	%
Weight	6.5	kg

### Pro-Pack Materials Pte Ltd

Blk 970, Toa Payoh North, #04-18  
Toa Payoh Industrial Estate  
Singapore 318992

Tel : +65 63541511  
Fax : +65 63541711  
Email : sales@pro-pack.com.sg  
Website : www.pro-pack.com.sg

Regional Offices :

**Malaysia**  
Bold Pack Industries Sdn Bhd

**Indonesia**  
PT Pro-Pack Industries

**Thailand**  
Bold-Pack Materials (Thai) Co. Ltd

**Philippines**  
Pro-Pack Materials (Philippines) Inc.

**India**  
Pro-Pack Materials India Pvt Ltd

**China**  
Pro-Pack Materials (Wuxi) Co., Ltd

## Product Data

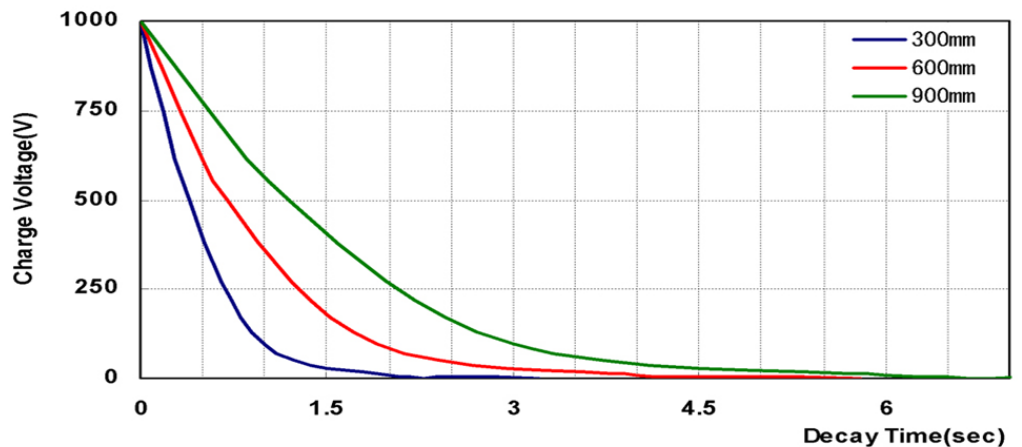
Overhead Ionizer

Model : ORITEQ - 204H

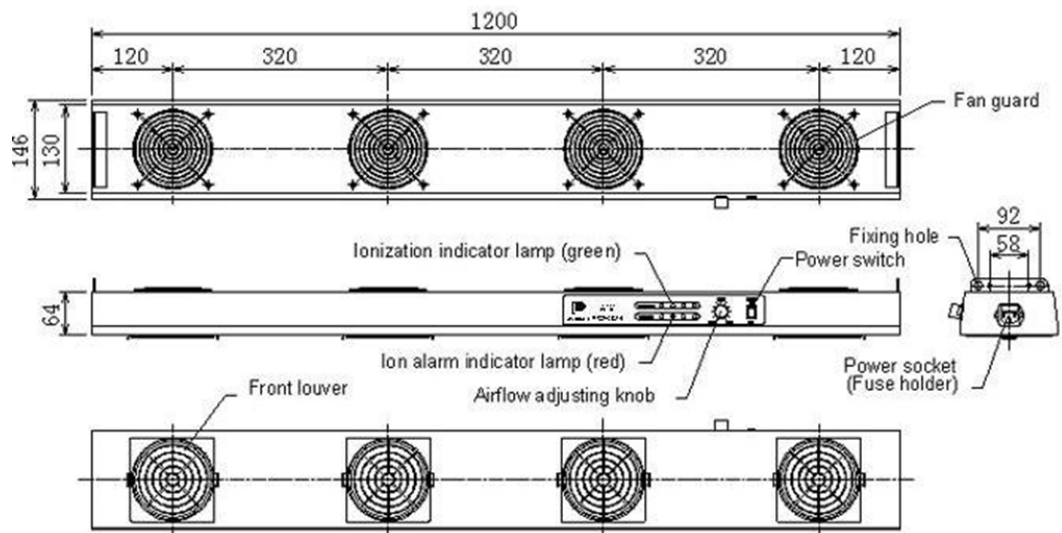
Code : 4005 Series



### Performance



### Performance



### Pro-Pack Materials Pte Ltd

Blk 970, Toa Payoh North, #04-18  
 Toa Payoh Industrial Estate  
 Singapore 318992

Tel : +65 63541511  
 Fax : +65 63541711  
 Email : sales@pro-pack.com.sg  
 Website : www.pro-pack.com.sg

Regional Offices :

**Malaysia**  
 Bold Pack Industries Sdn Bhd

**Indonesia**  
 PT Pro-Pack Industries

**Thailand**  
 Bold-Pack Materials (Thai) Co. Ltd

**Philippines**  
 Pro-Pack Materials (Philippines) Inc.

**India**  
 Pro-Pack Materials India Pvt Ltd

**China**  
 Pro-Pack Materials (Wuxi) Co., Ltd