

Product Data

Bench Top Air Ionizer

Model : ORITEQ - 201H

Code : 4005 Series



Feature	Benefit
Auto ion balance, within $0 \pm 5V$.	Stable
Ionization indicator light .	Easy Identification of machine status
Special alloy discharge needle	Durability
Detach of the front louver,	Ease in cleaning of the electrodes
Serial connection of up to six unit.	Easy connection

Technical Characteristics

Power Supply voltage	: 24V DC
Capacity	: 12VA
HV output	: 2200V AC
Safety performance	: Equipped with ion output monitoring system
Decay time	: About 1 sec
Ion Balance	: Auto ion balance, $0 \pm 5V$
Air volume	: $1.3 \sim 3.25m^3 /min$
Ozone density	: Less than 0.007 ppm
Allowable temperature	: $0 \sim 40^\circ C$
Allowable humidity	: 25 ~ 70% RH (no drops)
Weight	: 1.3kg

Pro-Pack Materials Pte Ltd

Blk 970, Toa Payoh North, #04-18
Toa Payoh Industrial Estate
Singapore 318992

Tel : +65 63541511
Fax : +65 63541711
Email : sales@pro-pack.com.sg
Website : www.pro-pack.com.sg

Regional Offices :

Malaysia

Bold Pack Industries Sdn Bhd

Indonesia

PT Pro-Pack Industries

Thailand

Bold-Pack Materials (Thai) Co. Ltd

Philippines

Pro-Pack Materials (Philippines) Inc.

India

Pro-Pack Materials India Pvt Ltd

China

Pro-Pack Materials (Wuxi) Co., Ltd

Product Data

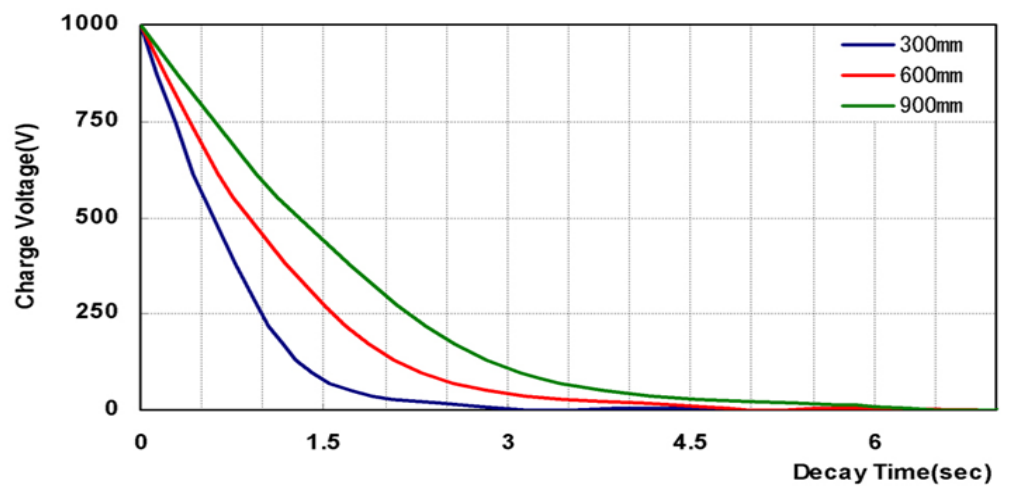
Bench Top Air Ionizer

MODEL : ORITEQ - 201H

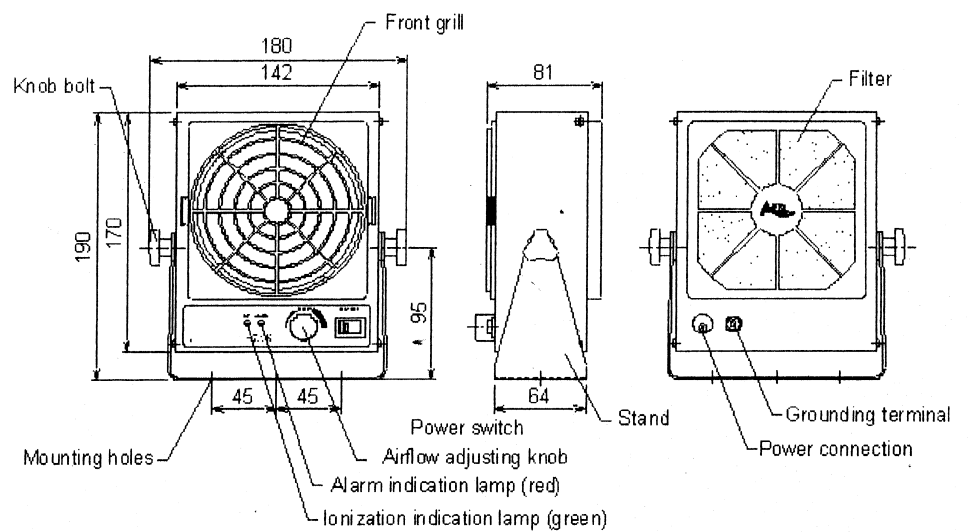
Code : 4005 Series



Performance



Overview and Dimension



Pro-Pack Materials Pte Ltd

Blk 970, Toa Payoh North, #04-18
Toa Payoh Industrial Estate
Singapore 318992

Tel : +65 63541511
Fax : +65 63541711
Email : sales@pro-pack.com.sg
Website : www.pro-pack.com.sg

Regional Offices :

Malaysia
Bold Pack Industries Sdn Bhd

Indonesia
PT Pro-Pack Industries

Thailand
Bold-Pack Materials (Thai) Co. Ltd

Philippines
Pro-Pack Materials (Philippines) Inc.

India
Pro-Pack Materials India Pvt Ltd

China
Pro-Pack Materials (Wuxi) Co., Ltd